

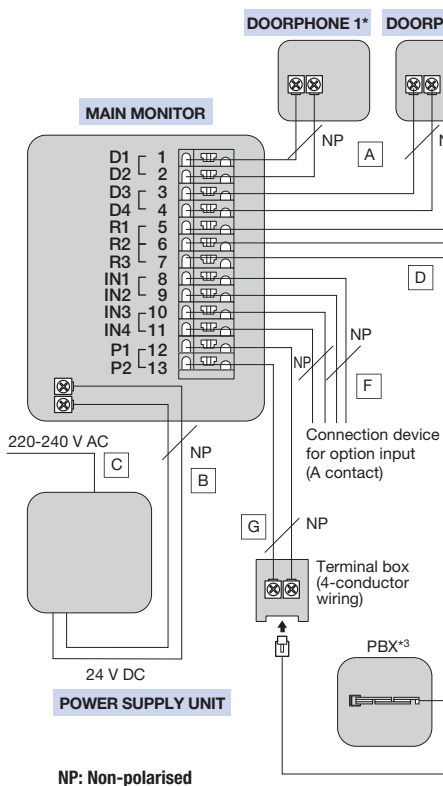


Key Features

- Smartphone Connect:** You can use your smartphone or tablet as a sub monitor to respond to visitors and unlock electric locks no matter where you are in the home. You can also monitor doorphone images when you want to check the door entrance. Maximum of 4 supported smartphones/tablets can be connected.
 - * The main monitor must be on the same home Wi-Fi network as a smartphone/tablet (with the dedicated app installed).
 - * It is also necessary to run the dedicated app in order to receive visitor's calls on a smartphone/tablet.
 - * Compatible mobile devices: iPhone 5 and later and iPad (iOS 7.0 or later) / Android™ smartphones and tablets (Android 4.0 or later)
 - * Some mobile devices may not be compatible.
 - * For the latest information about the app and compatible devices, visit the following website. <http://panasonic.net/pcc/support/intercom/smartphone/>
- E-mail Notification:** The main monitor can send e-mail with a time stamp and image of visitors to e-mail addresses registered in advance, enabling you to check who has visited when you are outside the house (even when you are overseas).
 - When commercially available sensors (such as a fire alarm, calling button, etc.) are connected to the main monitor, you can receive notifications.
 - * To use this function, a main monitor with e-mail sender information registered must be connected to the internet.
 - * E-mail may not be able to be sent depending on the condition of the network.
- Wi-Fi Connection:** In addition to smartphones/tablets, the main monitor can also wirelessly connect to the Wi-Fi router for easy connections without a cable. You can configure Wi-Fi settings using a simplified method (called WPS).
- Electric Lock Release Support:** The gate or door lock can be easily and quickly unlocked with either the main monitor or a mobile device such as a smartphone/tablet, even from the second floor of the house.
- Picture Recording Function:** The Main Monitor records the images of up to 400 (50 visitors, 8 shots per visitor).
- Voice Change Function:** This function makes woman's voice (higher keys) sounds like a man's (lower keys).
- Night Vision:** Door Station is equipped with LED lights (illumination lamp). It enables the colour display of visitors at a distance of about 50 cm at night.



Wiring schematic diagram



*When you use an additional doorphone, the maximum number of the electric locks that can be connected to the doorphone depends on the type of doorphone. Consult your dealer for further information.

- *1 Type: Single-pair cable with outer sheath (jacket)
Conductor: Copper solid
- A certified power supply wiring has to be used with this equipment. The relevant national installation and/or equipment regulations shall be considered. A certified power supply wiring not lighter than ordinary polyvinyl chloride flexible wiring according to IEC 60227 shall be used.
 - *2 When using an electric lock or a connection device for option input (A contact), select a device that meets the following guidelines:
 - Electric lock connection terminal (S1/S2, S3/S4):
 - N/O dry closure contact
 - 12 V AC/DC, less than 1 A
 - Connection device for option input (A contact) terminal (IN1/IN2/IN3/IN4):
 - Input method: No-voltage contact
 - Open-circuit voltage between terminals: DC 7 V or less
 - Detection definite time: 0.1 second or more
 - Short-circuit between terminals: 5 mA or less
 - Resistance value: make: 500 Ω or less make, break: 15 KΩ or more
 - *3 Connectable PBX Model Numbers:
KX-TDA30/100/100D/200/600 series, KX-TDE100/200/600 series,
KX-NS300/500/700/1000 series
Please consult your dealer when connecting with a PBX.

Wire type and length

Wiring run		Wire type ¹		
		Diameter		Length (Max.)
Main monitor – Doorphone (including lobby station)	A	φ 0.65 mm	22 AWG	100 m
		φ 1.0 mm	18 AWG	130 m
		φ 0.5 mm	CAT 5	50 m
Main monitor – Power supply unit	B	φ 0.65 mm	22 AWG	10 m
		φ 1.0 mm	18 AWG	20 m
Power supply unit – AC power source	C	φ 1.2 mm - φ 2.0 mm (17 AWG - 12 AWG)		No requirement
Main monitor – Relay box	D	φ 0.65 mm	22 AWG	100 m
		φ 1.0 mm	18 AWG	130 m
Relay box – Electric lock ²	E	φ 0.5 mm - φ 1.2 mm (24 AWG - 17 AWG)		According to specification of connected device.
Main monitor – Connection device for option input (A contact) ²	F	φ 0.5 mm - φ 1.2 mm (24 AWG - 17 AWG)		According to specification of connected device.
Main monitor – PBX	G	φ 0.65 mm	CAT 3 or 22 AWG	100 m

Accessory Information

For the Door Station:
Screw (3.8 mm x 20 mm) x 2

For the Main Monitor Station:
Mounting bracket x 1, Cable binder x 1,
Screw (4 mm x 16 mm) x 2, Power supply unit (VL-PS241) x 1,
AC cable x 1, Cable binder x 1, Screw (4 mm x 40 mm) x 2

Relay Box and Related Items:
Relay box x 1, Cable binder x 1, Screw (4 mm x 40 mm) x 2

Optional Accessories

Door Station (Doorphone)
CMOS 0.3 M pixels
VL-V555
(Surface mount)
CMOS 1.0 M pixels
VL-V554
(Surface mount)
VL-V554U
(Flash mount)



Door Station (Doorphone)
VL-V522L
(Surface mount)



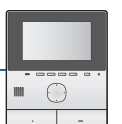
Lobby Station

VL-V590
Up to 20 main monitors can be connected.



Relative Product

Main Monitor Station (Main monitor)
VL-MVN511



Model Composition

VL-SVN511

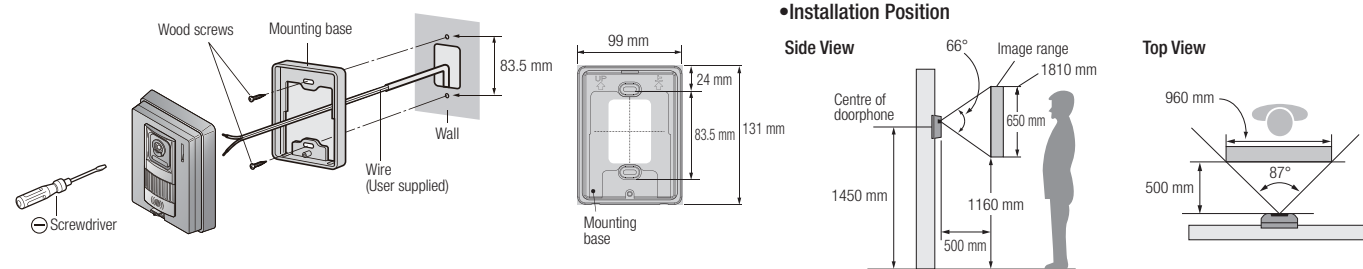
VL-MVN511 x 1, VL-V522L x 1

Specifications

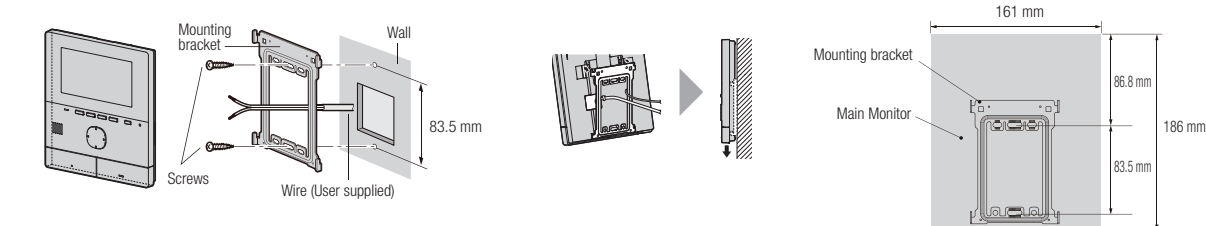
	VL-MVN511	VL-V522L	VL-PS241	VL-RLY1
Model number and name	Main Monitor Station (Main monitor)	Door Station (Doorphone)	Power Supply Unit * indoor use only	Relay Box
Dimensions (mm)				
Power source	Power supply unit (VL-PS241) 24 V DC, 0.5 A	Power supplied by the main monitor	Input: 220-240 V AC, 0.2 A (50 / 60 Hz) Output: 24 V DC, 0.6 A	Power supplied by the main monitor
Power consumption	Standby: Approx. 1.8 W During operation: Approx. 10 W	-	-	-
Dimensions (H x W x D) (Excluding protruding sections)	186 x 161 x 23.5 mm	131 x 99 x 36.5 mm	104 x 100 x 54 mm	92 x 78 x 38 mm
Weight	485 g	200 g	215 g	130 g
Operating environment	Ambient temperature: Approx. 0 °C to +40 °C, Relative humidity (non-condensing): up to 90 %	Ambient temperature: Approx. -15 °C to +55 °C, Relative humidity (non-condensing): up to 90 % (tested up to -20 °C)	Ambient temperature: Approx. 0 °C to +40 °C Relative humidity (non-condensing): up to 90 %	Ambient temperature: Approx. 0 °C to +40 °C Relative humidity (non-condensing): up to 90 %
Display	5-inch, wide colour / WQVGA (480 x 272 pixel)	-	-	-
Display Language	English, Arabic	-	-	-
Talking method	Hands-free	-	-	-
Frequency range	Wi-Fi: (IEEE 802.11 b/g/n 2.4 GHz)	-	-	-
Viewing angle	-	Horizontally: Approx. 87° Vertically: Approx. 66°	-	-
Installation method	Wall mount (mounting bracket supplied)	Surface mount (mounting base supplied)	Wall mount or attach to DIN rail	Wall mount or attach to DIN rail
Minimum illuminance required	-	1 lx (within approx. 50 cm from the camera lens)	-	-
Lighting method	-	Warm white LED lights, Infrared LEDs	-	-
IP rating / IK rating	-	IPX3 ^{*1}	-	-
External material	Flame retardant ABS and PS resin	Flame retardant ABS resin	Flame retardant PC+ABS resin	Flame retardant ABS resin

*1 Water resistance is only assured if the Door Station is installed correctly according to the instructions in the Installation Guide, and appropriate water protection measures are taken.

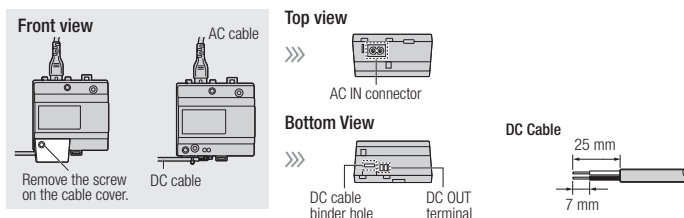
Installing the Doorphone



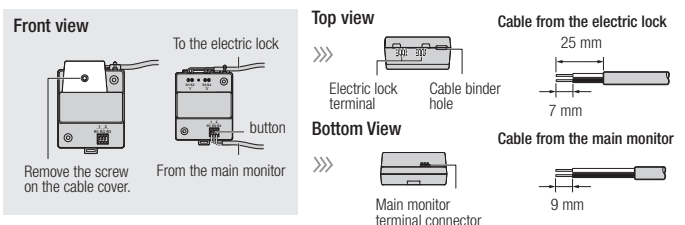
Installing the Main Monitor



Installing the Power Supply Unit



Installing the Relay Box



Trademarks and registered trademarks

- Wi-Fi is a trademark or registered trademark of Wi-Fi Alliance.
- iPhone and iPad are trademarks of Apple Inc., registered in the U.S. and other countries.
- Android is a trademark of Google Inc.
- All other trademarks identified herein are the property of their respective owners.

Important

- Safety Precaution: carefully read the operating instructions and installation manual before using this product.
- The light is intended to illuminate the subjects in dark environments and not in any other applications.

- The actual product may vary slightly from photograph.
- All pictures of the LCD display are simulated.
- Weights and dimensions are approximate.
- Design and Specifications are subject to change without notice.
- These products may be subject to export control regulations.

DISTRIBUTED BY :

Panasonic[®]